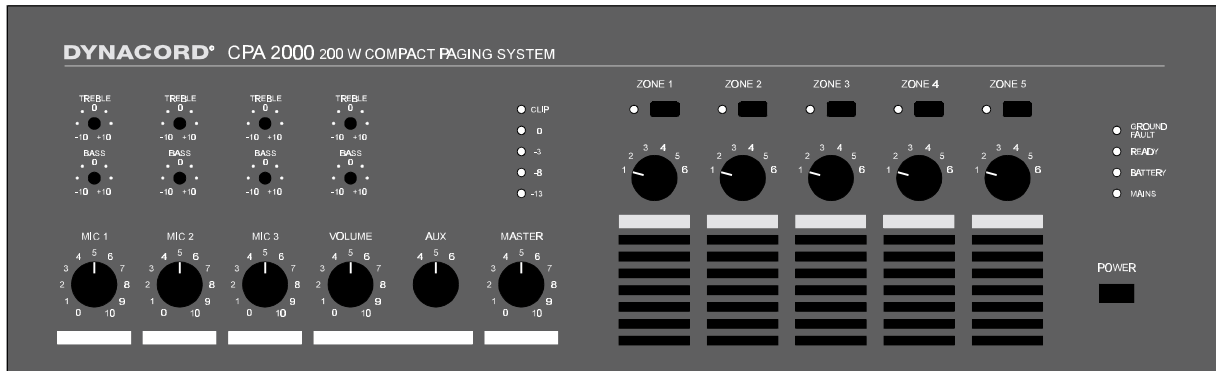


## CPA 2000

### ELECTRO ACOUSTICS-Compact System



#### Features:

- Output capacity of 200 watts (IEC 268-3), the power amplifier is protected against floating (no load) and short-circuit
- 5 integrated output circuits, controllable and switchable from the front user interface, function for obligatory reception
- Direct digital recording and playback for voice message (optional), max. 1 min.
- 3 XLR-type inputs for MIC/LINE with sound shaping controls, electronically balanced, mutually switched phantom power
- 3 switchable inputs for the connection of external line level equipment, with sound shaping controls
- Protective features
  - Ground fault surveillance (DIN/VDE 0800)
  - Pilot tone surveillance
  - Fault message output
  - Alert signals (DIN 33404), (optional)
  - Emergency power supply
- Other features:
  - Input with voice-operated switch for the connection of a telephone or the automated switching of incoming signals, alternative
  - Gong-signals / Pre-Gong, alternative
  - Integrated relay-field to assign call and program materials to the 5 separate output circuits, or to be used as direct outputs
- Priority function: mixable, block priority, cascade priority; alternative
- 1 input for the connection of a command microphone, controllable
- output transformer for balanced, off-ground 100 V loudspeaker networks or alternative 70 V, 50 V
- Remote control of the main output signal, optional
- Pre-configured for the connection of up to 3 microphone terminals MT 2005 or a PTT-microphone via a RJ 45 socket
- Connections for tape recorder and inserts (RCA)
- Monitor output
- LED indicators displaying the operational status of batteries, mains supply, general operation, ground fault
- LED-meters with a range from -13 dB to 0 dB plus clipping indicator
- Overall volume control, has to be bridged in the priority mode
- Power switch on the front panel
- Remote control connection
- 115/230 V mains supply, switchable on the rear of the CPA 2000
- 24 V battery power, gapless emergency power supply
- Optional 19" mounting kit

## CPA 2000

High performance electro acoustics system in a compact sized desktop enclosure, rack mountable, offering 3 Mic/Line and 3 line-level inputs, 200 watts output power capacity and 5 separately assignable output circuits. The CPA 2000 can be operated with 115/230V AC or 24V DC.

### Specifications

Nominal output power	200 watts (IEC)
Nominal output voltage	100 / 70 / 50 volts
Nominal output impedance	100 V : 50 ohms // 220 nF 70 V : 25 ohms // 440 nF 50 V : 12.5 ohms // 880 nF
Sensitivity Mic/Line	0.6 mV / 12 mV
Maximum input voltage Mic/Line	470 mV / 8.5 volts
Sensitivity of the line-level inputs	430 mV
Distortion	< 1 %
S/N ratio	< -60 dBu
Monitor output	8 dBu / 600 ohms
Sound shaping controls	100 Hz : ± 12 dB 10000 Hz : ± 12 dB
Tape Rec output	775 mV / 47 k ohms, unbalanced
Operational voltage	115 V / 230 V AC at 50 - 60 Hz
nominal operation range of the mains supply	±10 %
power consumption without signal present [1]	20 W / 37 VA ±10 %
power consumption under standard measurement [2]	180 W / 220 VA ±10 %
power consumption under nominal condition [3]	464 W / 564 VA ±10 %
battery power supply	24 V DC
nominal operation range of the battery supply	-10 % ..+30 % deviation from nominal value
power consumption without signal present [7]	0.48 A ±10 %
power consumption under standard measurement [8]	4 A ±10 %
power consumption under nominal condition [9]	10.5 A ±10 %
Environmental temperature	40° - 104° F (5 - 40° C)
Dimensions (W x H x D)	440 x 135 x 260 mm
Weight	approx. 11 kg

### Extension kits

• Alert, Gong, Pre-Gong	NRS 90212	(121 655)
• Voice message	NRS 90213	(121 656)
• Remote control of the main output signal	NRS 90178	(121 406)
• Voice-operated switch	NRS 90170	(121 414)
• Transformer balanced inputs	NRS 90139	(121 170)
• 19" Rack mount kit	NRS 90214	(121 660)

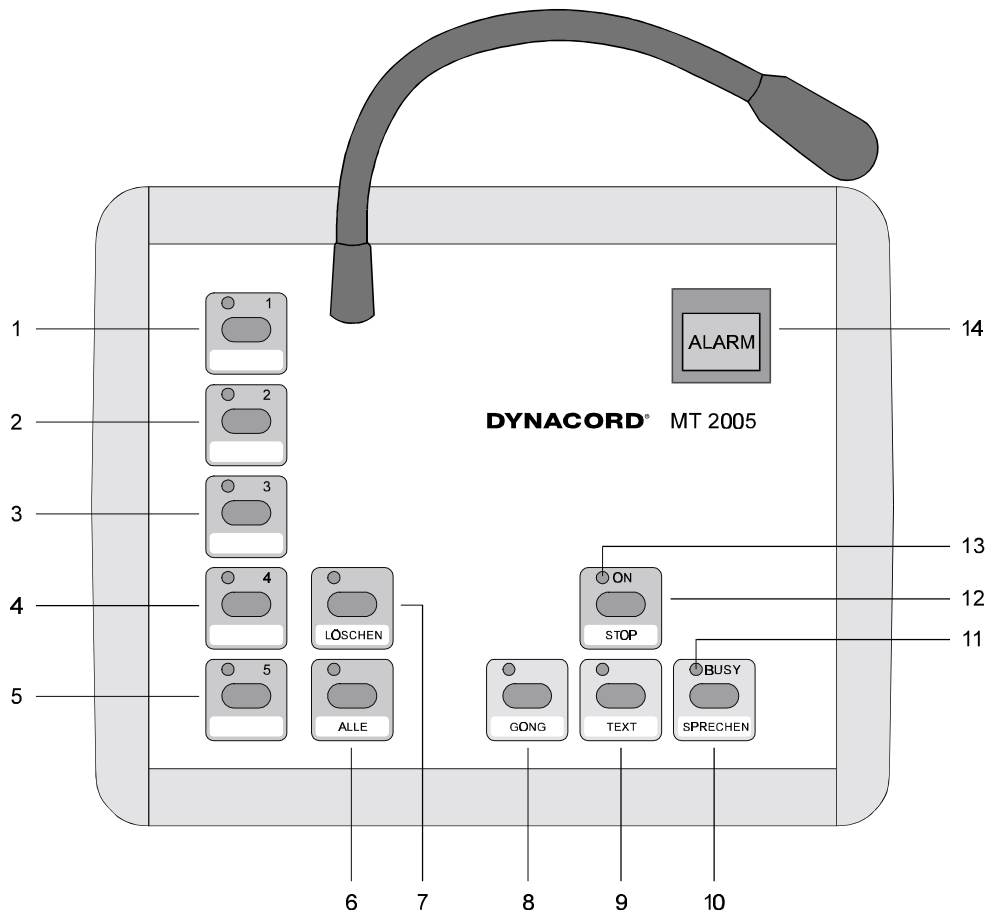
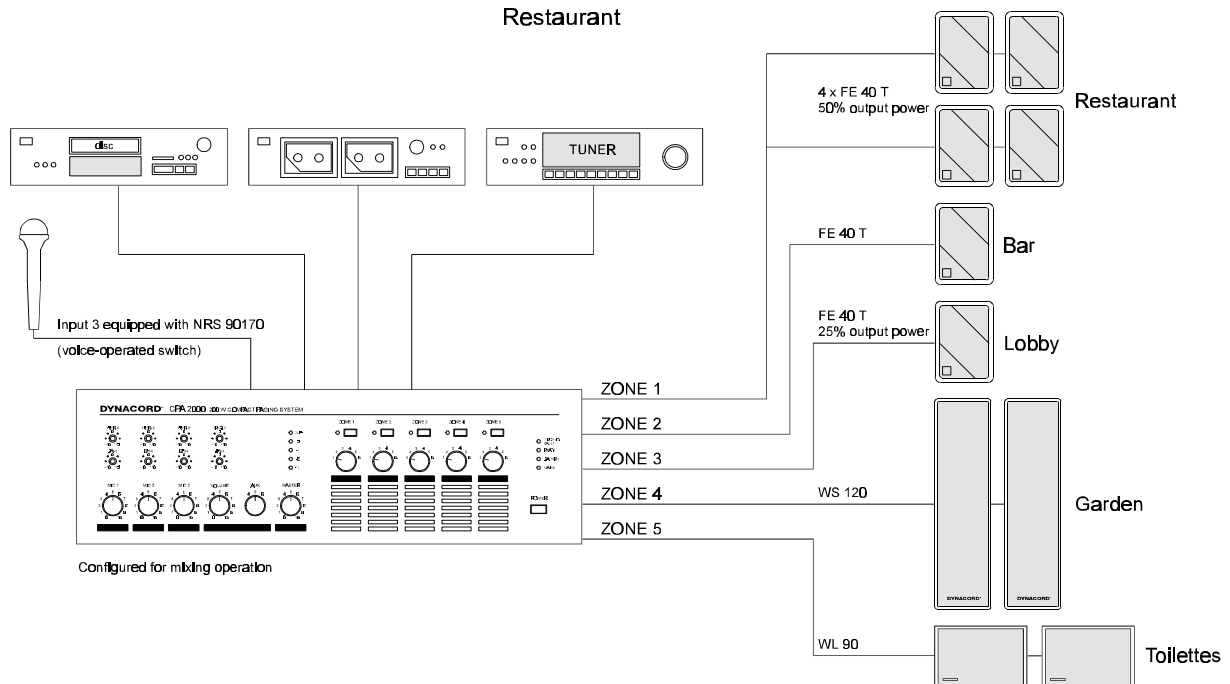
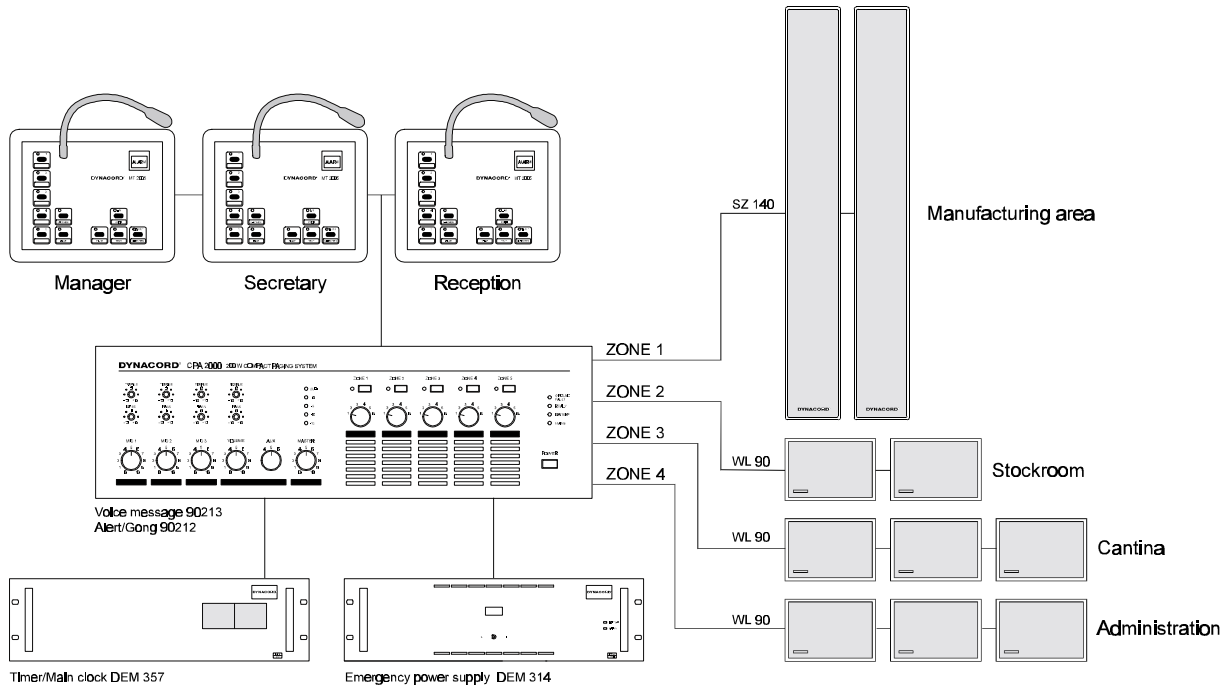


diagram 7( terminal MT 2005)

### Standard application CPA 2000 Restaurant



## Industrial enterprise



## School

